

Quick Set-Up Guide for 7845GSMR Digital Cellular Communicator/7845i-GSM Internet and Digital Cellular Communicator

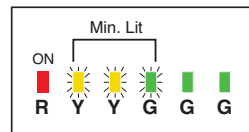
Step 1 Activate Radio

- Activate radio by using AlarmNet Direct Website at <https://services.alarmnet.com/> or by calling AlarmNet Technical Support at 800-222-6525, option 1.

Step 2 Check Signal Strength

- A** Connect AC transformer
- B** Plug in the transformer to an available AC source
- C** Check that signal strength is at least 3-5 bars lit solid at mounting location

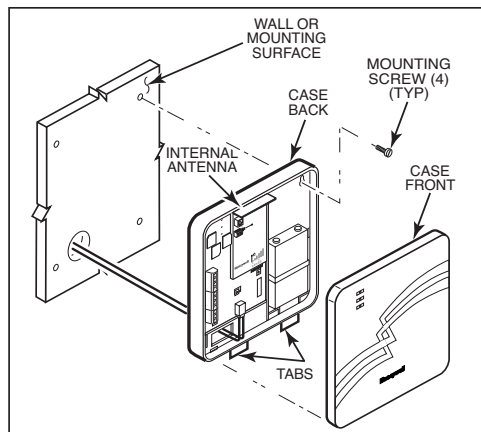
Signal Strength (RSSI) Function LED Display



Note: Radio will not display signal strength until the activation has been completed. You may need to power-cycle the radio to confirm activation.

- D** Unplug the transformer

Step 3 Mount



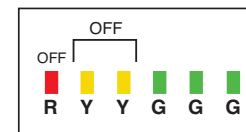
Step 4 Wire

- A** Connect control panel wiring
 - 12VDC in (red)
 - GND (black)
 - ECP input (yellow)
 - ECP output (green)
- B** 7845i-GSM only – Connect to an Ethernet port – the Ethernet has been detected when the right-most LED is lit in the network connectivity LCD display
- C** Place the battery inside the case back
 - Snap the battery clip onto the right side of the case back and secure the left side with the screw provided
 - After all wiring connections have been made, connect battery cables to the battery terminals
 - Connect battery cable to connector J1

Step 5 Power Up and Program

- A** Plug in transformer to a 120V AC source and connect the battery
- B** Power up control panel
- C** Check that module is in ECP mode. Press and hold RSSI/Mode status switch. Red LED and both Yellow LEDs should be off. (Refer to Installation and Setup Guide if using any other mode)

RSSI/Mode Status Indicator Switch



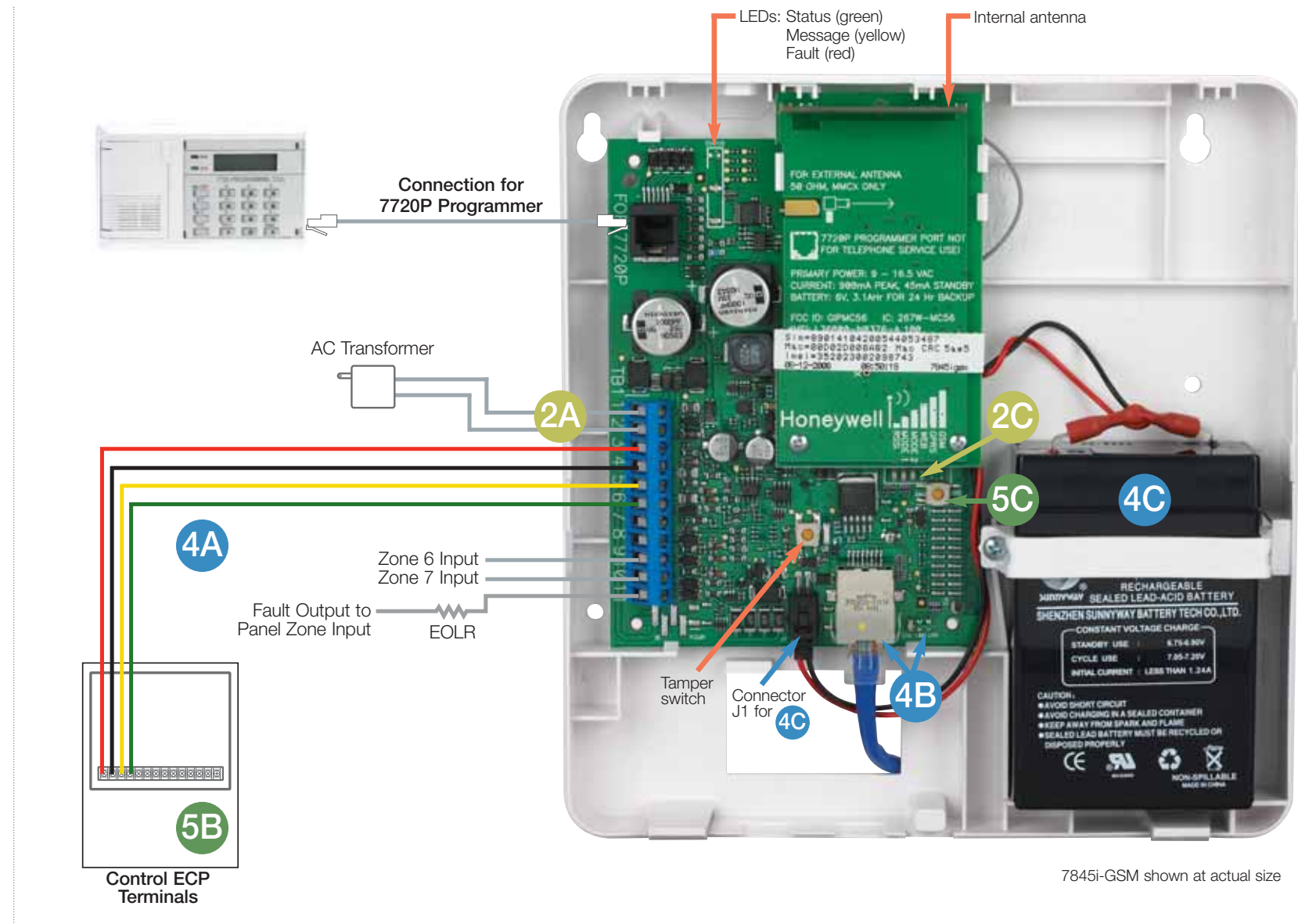
- D** Use the web-based programming tool on the AlarmNet Direct website or the 7720P Programmer to complete programming (see Installation and Setup Guide for instructions)

Step 6 Register

- The GSM module requires an AlarmNet-i account and may be registered by one of the following methods:
 - Via web-based programming on <https://services.alarmnet.com/alarmnetdirect>
 - Via 7720P Programmer
 - By calling AlarmNet Technical Assistance at 1-800-222-6525
- When replacing 7845C series modules, registration may be done by entering a PIN number
- See Installation and Setup Guide for complete instructions

Step 7 Enable Optional Remote Services*

- Enable service at <https://services.alarmnet.com/alarmnetdirect> Once enabled proceed to <https://services.alarmnet.com/totalconnect>



7845i-GSM shown at actual size