

LEF 1-CAMERA ADAPTOR

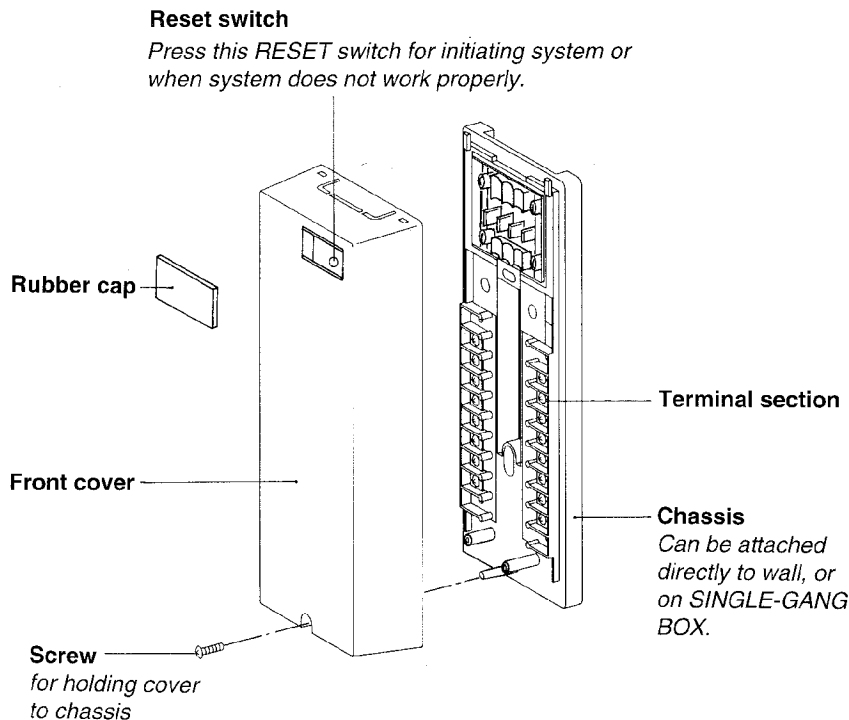
Model; **MYW-P1L** (1-camera adaptor for LEF-C & LEF system)

INSTRUCTIONS

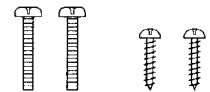
1 DESCRIPTION

MYW-P1L is a video adaptor for accepting one video door station to LEF-C Residential Intercom System. Any PanTilt MY video door station can be activated by inside monitor control pad.

2 NAMES AND FUNCTIONS



Mounting accessories;



Screw(2) for mounting to SINGLE-GANG BOX

Wood screw(2) for mounting directly to wall

3 INSTALLATION GUIDELINES

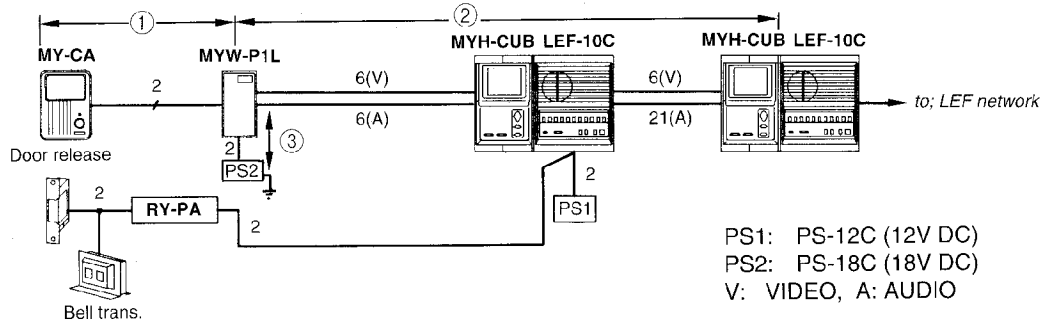
1. Determine number of video door stations to be installed.
2. Select MYW-P1L for one video entry.
For 2 or 3 video entries, use MYW-P3L 3-camera adaptor.
3. Lay out each system component in its proper location.
MYW-P1L adaptor is designed for indoor use only.
4. Determine the number of conductors and the size of each cable.
5. Study the system wiring diagram, using the diagram that most closely meets your application.
6. Determine appropriate height and location for each unit to be mounted on the wall.

7. For resetting PanTilt camera to center position;

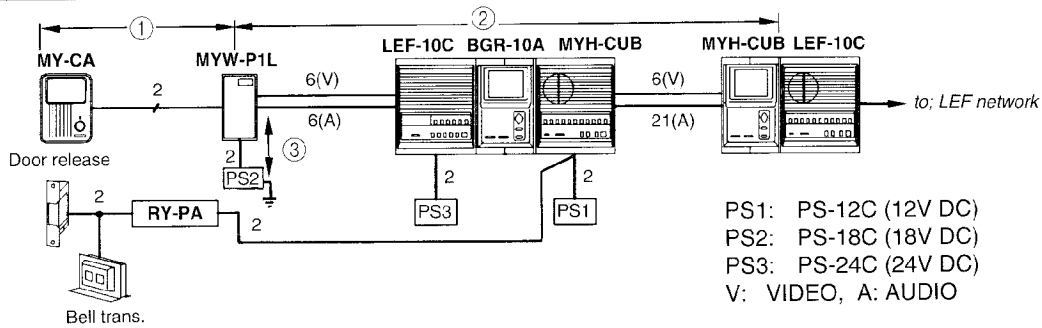
When the system power supply is turned on, OR, when the reset switch is pressed, the system is in the initializing mode for approximately 15 seconds. During this time, no functions will work, and the video monitor is turned on. After 15 seconds, the PanTilt camera returns to the center position.

4 SYSTEM LAYOUTS

Basic video system



Music center video system



Wiring distance;

① MY-CA ~ MYW-P1L

Diameter	0.65mm	1.0mm
Distance	50m	100m
AWG	22AWG	18AWG
Distance	165'	330'

③ MYW-P1L ~ PS-18C, 18D

Diameter	1.0mm
Distance	5m
AWG	18AWG
Distance	16'

② MYW-P1L ~ farthest MYH-CUB

	w/2 monitors	w/1 monitor
Distance/diameter	35m/1.0mm	75m/1.0mm
Distance/AWG	115'/18AWG	245'/18AWG
When +, - wires are doubled	75m/1.0mm 245'/18AWG	—

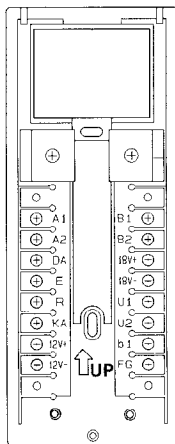
Video wiring;

- To increase inside monitor distance, double +, - wires between MYH-CUB.
- Video wiring cable must be in completely **separate cable sheath** from audio communication sheath.
- Do not connect 18V+ terminal on MYW-P1L to A1 or A2 terminal on MYH-CUB, which would damage the MYW-P1L adaptor and other video units.

Audio wiring;

Keep audio wires at least 20" (50cm) away from AC wiring, fluorescent lights, and dimmer switches.

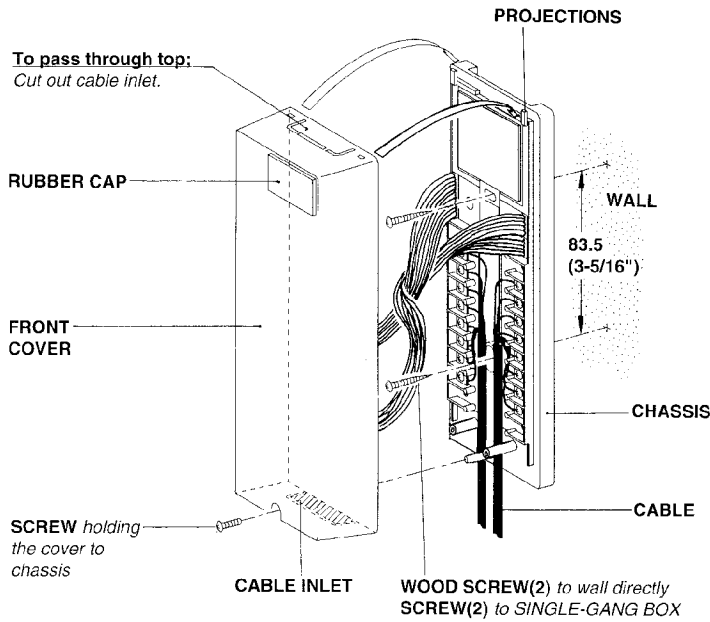
5 TERMINAL IDENTIFICATIONS



MYW-P1L
 CHASSIS BACK VIEW

- A1, A2 : to PanTilt video door station
- DA : to door-assigned number terminal (LEF)
- E : for common communication (LEF)
- R : for OCCUPIED light
- KA : for camera selection
- B1, B2 : to inside MYH-CUB video monitors
- U1 : for monitor control output
- U2 : for monitor control input
- b1 : for illuminating control

6 MOUNTING INSTRUCTIONS



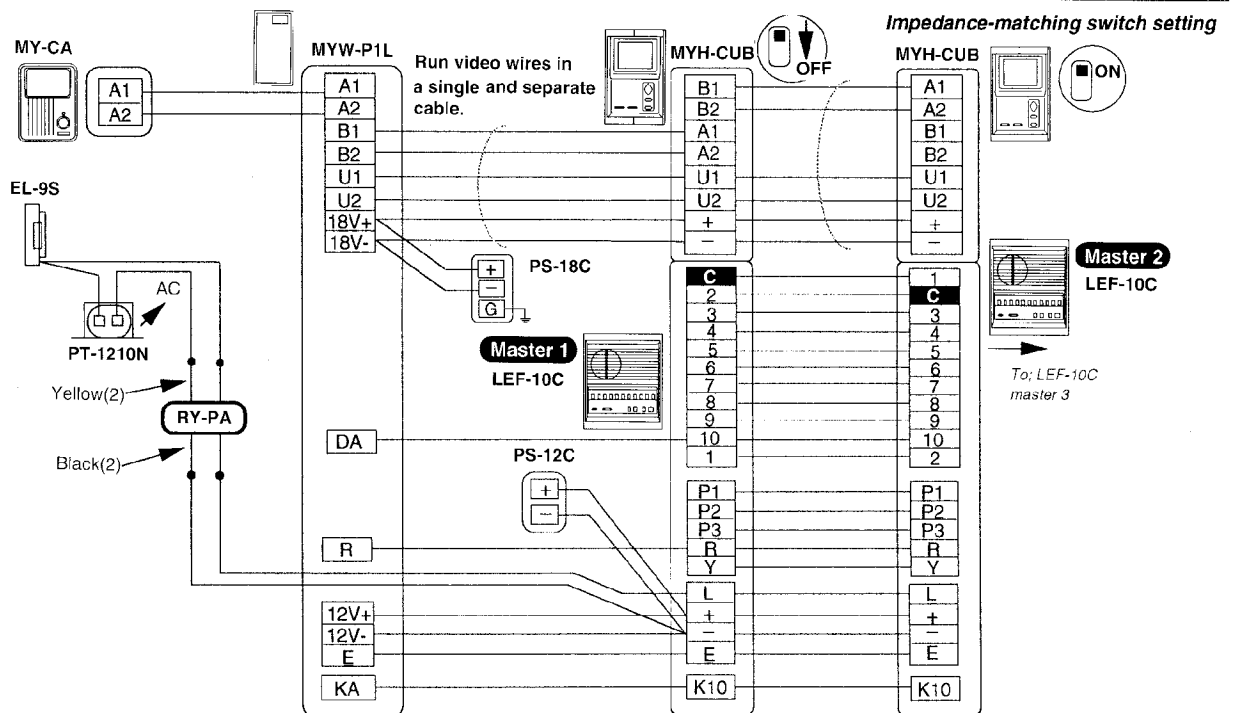
Intercom cable can be pulled out from either direction from the back, top or bottom.
For direct wall mounting, cut off the cable inlet part top or bottom.

7 SPECIFICATIONS

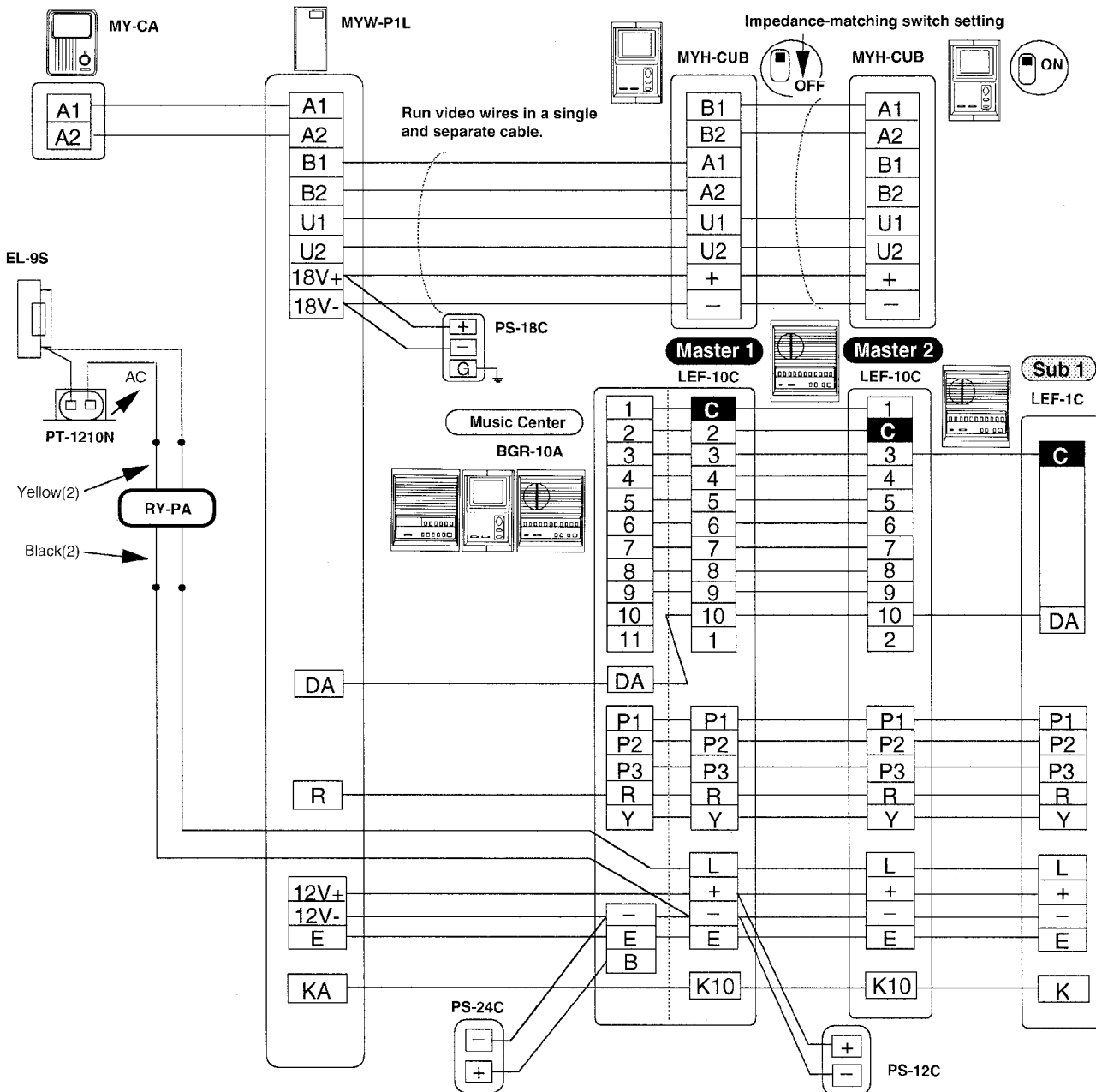
- * Power source: DC 18V, supplied by PS-18D or PS-18C (in N. America)
- * Current consumption: Max. 500 mA. 100 mA (standby)
- * Dimensions (H x W x D) & weight: 190 x 74 x 42 (mm); 7-1/2" x 3" x 1-5/8"
Approx. 260g (0.57 lbs.)

8 WIRING DIAGRAMS

(1) LEF-C video system with one video door station



(2) LEF-C Music Center Video System with one video door station



LEF-1C can call LEF-10C master stations by all call. So, LEF-1C must be used in a system with BGR-10A Music Center.

WARRANTY

Aiphone warrants its products to be free from defects of material and workmanship under normal use and service for a period of one year after delivery to the ultimate user and will repair free of charge or replace at no charge, should it become defective upon which examination shall disclose to be defective and under warranty. Aiphone reserves unto itself the sole right to make the final decision whether there is a defect in materials and/or workmanship; and whether or not the product is within the warranty.

This warranty shall not apply to any Aiphone product which has been subject to misuse, neglect, accident, or to use in violation of instructions furnished, nor extended to units which have been repaired or altered outside of the factory.

This warranty does not cover batteries or damage caused by batteries used in connection with the product.

This warranty covers bench repairs only, and any repairs must be made at the shop or place designated in writing by Aiphone.

Aiphone will not be responsible for any costs incurred involving on site service calls.

Aiphone Co., Ltd., Nagoya, Japan
Aiphone Corporation, Bellevue, WA, USA

MYW-P1L-I(E) 0593E

COMMUNICATION SYSTEMS
AIPHONE
HOME, BUSINESS, INDUSTRY.

Printed in Japan (E)