

R A D I O N I C S

D2071A: MAIN Program Record Sheet

Account Information

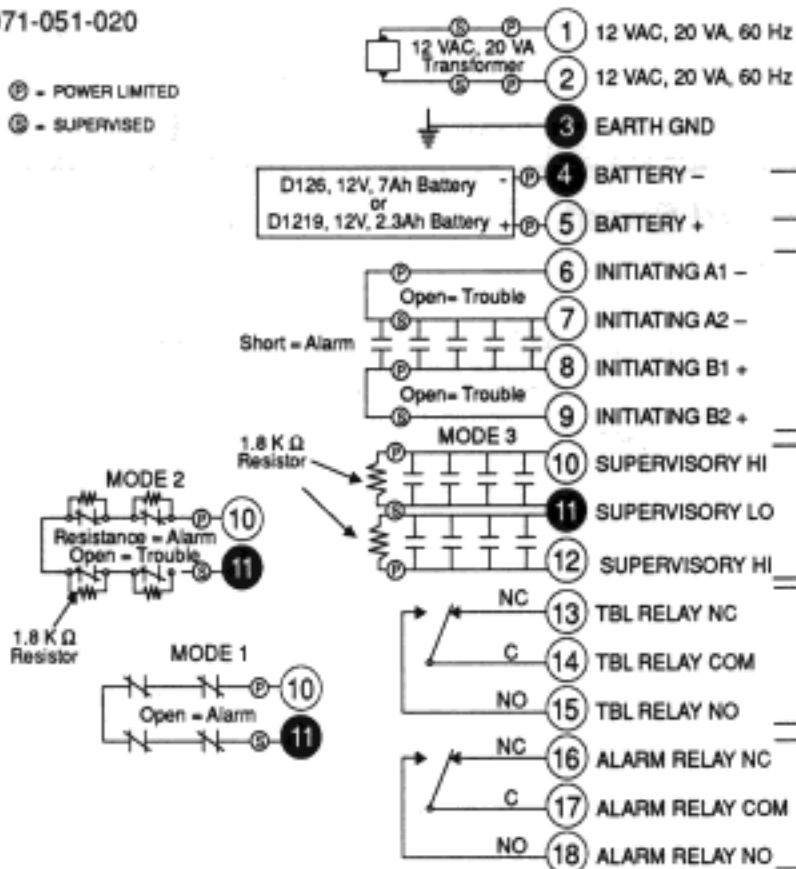
Name (Title) _____ Account # _____ Receiver # _____
 Address _____ Contact Phone # _____
 Primary Phone # _____ Alternate Phone # _____
 Location of D2071A _____ D2071A Serial # _____
 Transformer Location _____ RJ31X Jack Location _____
 Earth Ground Location _____
 Account Notes _____

Programming Information

Prompt	Default	Entry	Selections	Notes
<i>Account #</i>			<i>0-9, B-F, Blank</i>	1-3 Digits, right justified
<i>Transmit BFSK</i>	<i>No</i>		<i>Yes or No</i>	Yes=BFSK format, No=Pulse format
<i>DTMF Dialing</i>	<i>Yes</i>		<i>Yes or No</i>	Yes=DTMF dialing, No=Pulse dialing
<i>PriPre</i>			<i>0-9, B-F, Blank</i>	9 characters
<i>PriPh#</i>			<i>0-9, B-F, Blank</i>	7 characters
<i>AltPre</i>			<i>0-9, B-F, Blank</i>	9 characters
<i>AltPh#</i>			<i>0-9, B-F, Blank</i>	7 characters
				B = * C = 3 second pause D = 7 second pause E = # F = Toggles between DTMF and pulse dialing
<i>12 Volt Mode</i>	<i>Yes</i>		<i>Yes or No</i>	Yes=12V transformer, No=24V power supply
<i>Class B Mode</i>	<i>3</i>		<i>1-3</i>	Mode 1=1, Mode 2=2, Mode 3=3 (see reverse)
<i>Retard Time</i>	<i>0</i>		<i>0-90</i>	Consult the appropriate standard or as allowed by the authority having jurisdiction.
<i>Reset Time</i>	<i>0</i>		<i>0-90</i>	
<i>Hrs Til Rpt</i>	<i>0</i>		<i>1-25</i>	If left at the default (0), the D2071A automatically sends first test report in 12 hours.
<i>Mins Til Rpt</i>	<i>0</i>		<i>0-59</i>	

⊕ = POWER LIMITED
 ⊙ = SUPERVISED

Stand Alone Applications



Replace battery every 3 to 5 years.

Alarm Initiating Circuit (Zone 1) Class A (Style D)

Normal: 1.0-1.9 VDC Short: 0.0-0.3 VDC
 Maximum of 5 waterflow or 100 mechanically activated initiating devices.
 Retard/reset times: 0-90 sec.

Supervisory Circuits (Zones 2 and 3) Class B (Style A)

20 devices maximum per circuit. Mode 3 required for NFPA 71, recommended for NFPA 72(Ch. 8). See installation manual for wiring and programming.

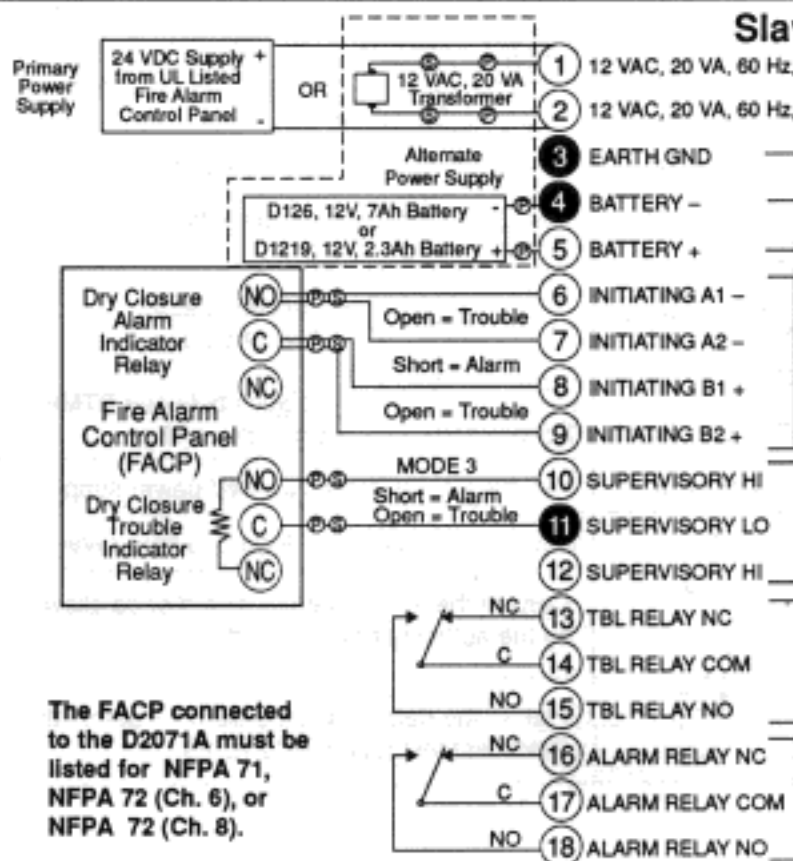
Telephone Trouble Relay (Form C)

D136 required in socket K5 for optional relay operation.

Alarm Relay for Initiating Circuit (Form C)

D136 required in socket K6 for optional relay operation.

Slave Communicator Applications



Do not connect earth ground when connected to 24 VDC power supply.

Do not connect a battery when connected to 24 VDC power supply.

Alarm Initiating Circuit (Zone 1) Class A (Style D)

Normal: 1.0-1.9 VDC Short: 0.0-0.3 VDC
 Connect to an alarm initiating (dry closure) output on the FACP.

Supervisory Circuits (Zones 2 and 3) Class B (Style A)

Connect to a system trouble (dry closure) output on the FACP. Mode 3 recommended for NFPA 71. See installation manual for wiring and programming.

Telephone Trouble Relay (Form C)

D136 required in socket K5 for optional relay operation.

Alarm Relay for Initiating Circuit (Form C)

D136 required in socket K6 for optional relay operation.





Program Record Sheets Menu



Documents by Type Menu



Documents by Product Menu



Main Menu



Radionics