

## Add Peripherals without Changing Your Phone System



The **C-1000** Controller dramatically expands the potential installation sites for many peripherals such as doorboxes and paging amplifiers.

No longer limited to installation on an unused trunk ports, doorboxes and paging amplifiers can now be used on single line, residential or home office applications as well as on fully loaded systems.

The **C-1000** allows single line phones or phone systems to share a phone line with one or two doorboxes or paging amplifiers. In addition, the **C-1000** provides two Touch Tone controlled contact closures to operate door strikes or gate openers.

<http://www.VikingElectronics.com>

[E-mail...Sales@VikingElectronics.com](mailto:Sales@VikingElectronics.com)

### Features

- Allows two Viking doorboxes to share a telephone line with a residential or business telephone system
- May be used with single line telephones, PABX systems, Electronic key systems or 1A2 Key systems
- Call waiting tones indicate which door box is calling and distinguish a doorbox call from a C.O. line call
- Calls can be placed on hold when visitors call from the doorbox
- Provides two Touch Tone controlled dry contact closures for door strikes or gate openers
- Compatible with rotary or Touch Tone phones

### Applications

- Add one or two Viking Doorboxes to your home or office phones
- Add paging amplifiers to provide loud ringing and paging to offices with single line phones or fully loaded phone systems
- Provide commercial or residential security via two-way handsfree communication at the door and gate
- Use as a line concentrator (one answering machine can answer three lines)

### Specifications

**Power:** 120V AC/12V DC 500mA, UL listed adapter provided

**Dimensions:** 119mm x 71mm x 36mm (4.7" x 2.8" x 1.4")

**Shipping Weight:** 0.4 kg (0.86 lbs)

**Environmental:** 0° C to 32° C (32° F to 90° F) with 5% to 95% non-condensing humidity

**Relay Contacts:** 24V AC/DC .75A maximum

**Connections:** (3) RJ11 jacks, (1) RJ11 plug

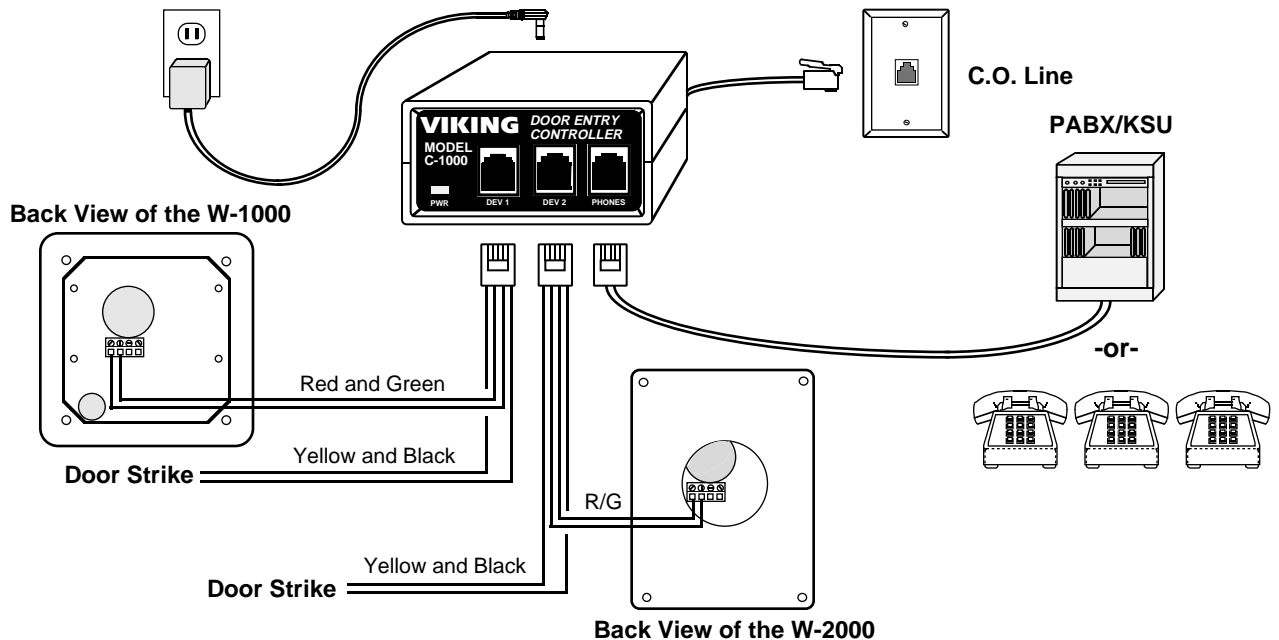
**Sales...(715) 386 - 8861**

**Made in the U.S.A.**

# Installation/Applications

## A. Two Doorboxes Sharing a Single Line Phone or C.O. Port

**Important:** Door strikes should not exceed 24V AC/DC at .75A. Use an external relay for heavier loads.

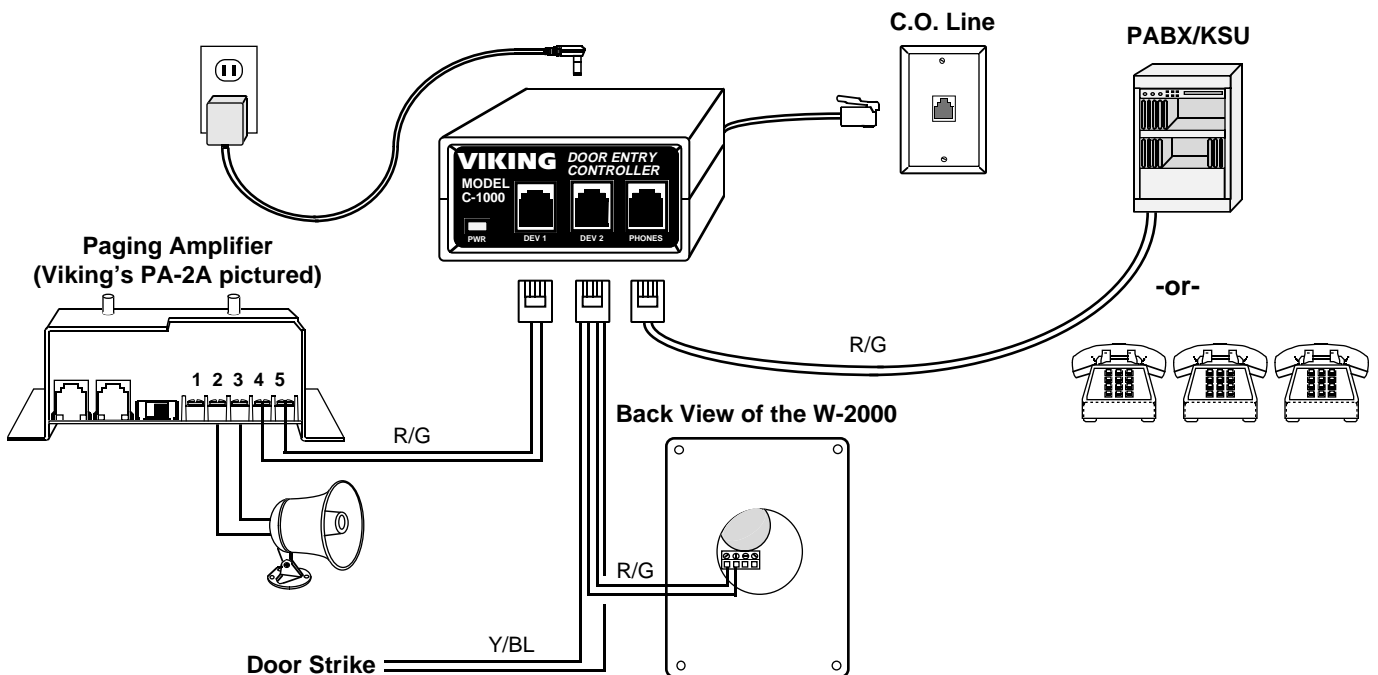


**Note:** If you would like to control two contact closures with only one doorbox, **DOORPTS** software is required. Contact Viking Product Support for more information at (715) 386-8666.

## B. Adding Paging to Homes and Small Businesses with Single Line Phones

The C-1000 may be used to provide paging from single line telephones when used with an amplifier such as the PA-2A (Fax Back Document 485).

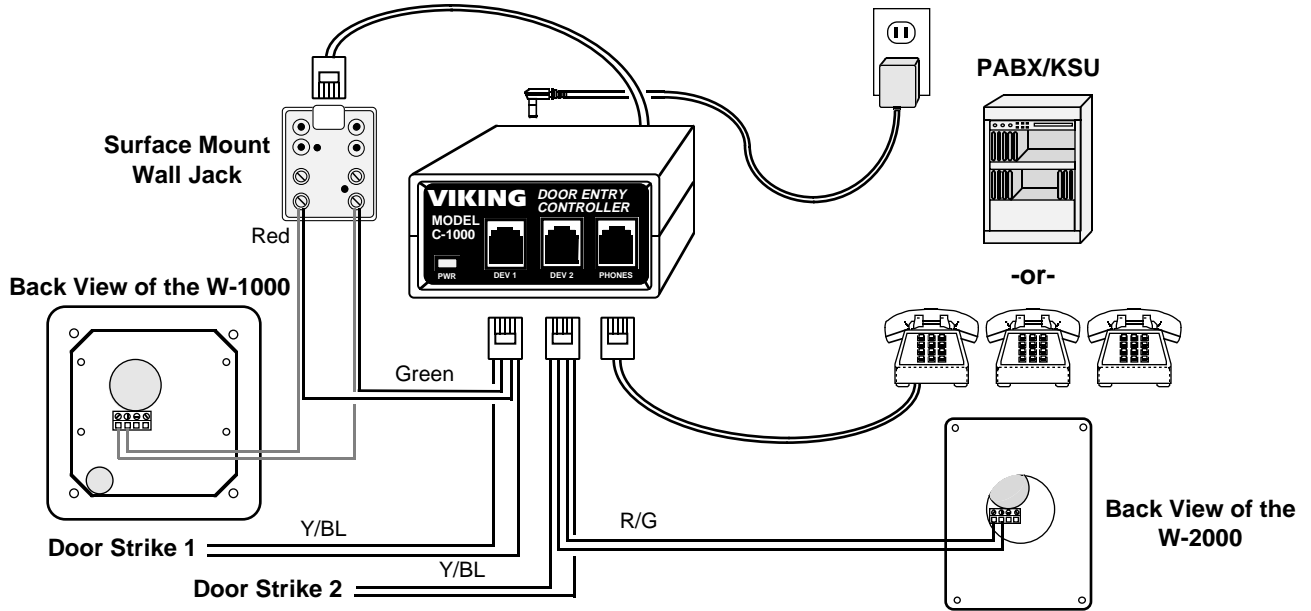
**Note:** **DOOR-HLD** software is required for this application. Contact your distributor or Viking Product Support at (715) 386-8666.



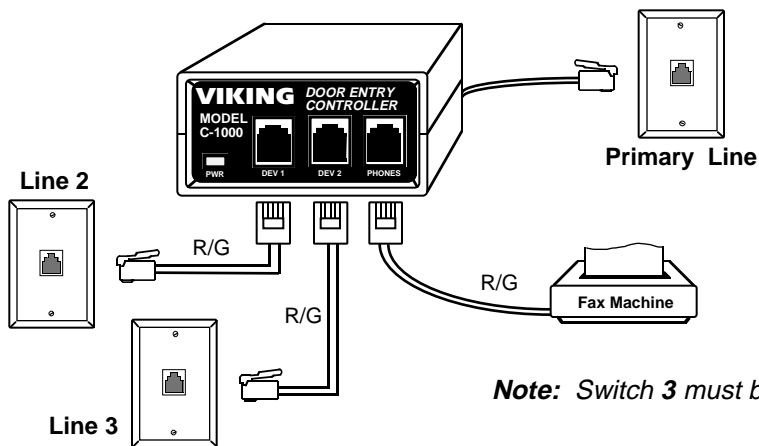
### C. Connecting Doorboxes to a C-1000 without a C.O. Line

To activate doorstrike one, you must enter the Touch Tones “# 1” prior to the relay activation commands.

**Note:** Door box one will not have Touch Tone dialing restriction (security).



### D. One Device Answering Three Lines

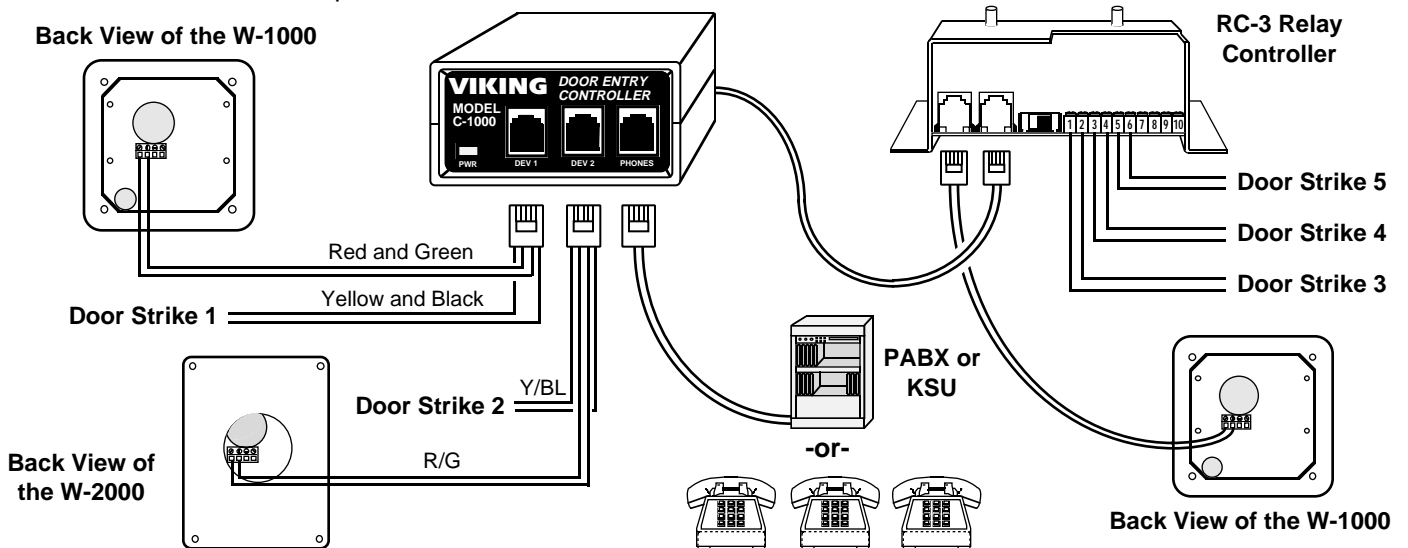


The **C-1000** can be used as a line concentrator, allowing you to connect up to three separate C.O. lines to one telecom device. The first ringing line will ring to the “PHONE” port of the **C-1000**. On outbound calls, the **C-1000** will default to the line connected to the line cord. To access the lines connected to “DEV 1” or “DEV 2”, simply dial Touch Tones “#1” or “#2” respectively.

**Note:** Switch 3 must be moved to the **OFF** position (see **Programming**).

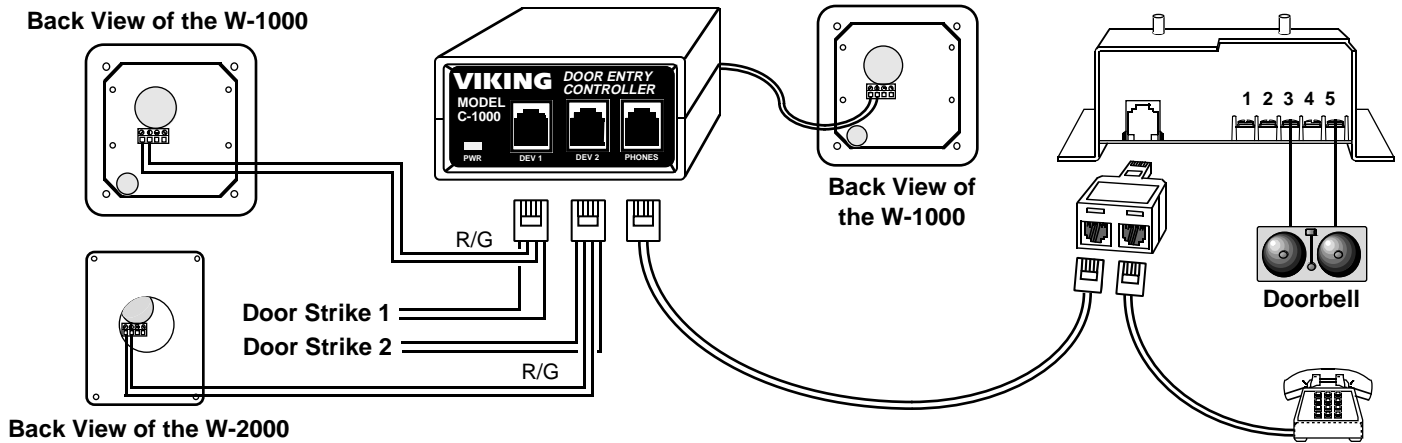
### E. Using the C-1000 with Three Doorboxes and Three or more Door Strikes

The **C-1000** can be used in combination with the **RC-3 Remote Controller (Fax Back Document 165)** for applications where more than two doorboxes are required. In this configuration, door box 1 is connected in series with the **RC-3** which can provide one to three contact closures.

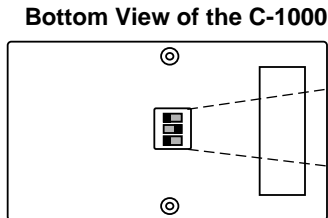


## F. Using the C-1000 to Ring a Doorbell

The **C-1000** can be connected in combination with the **K-600D** Night Bell Over Paging Adapter (**Fax Back Document 475**) to provide a momentary doorbell contact closure during doorbox ringing.



## Programming



Switch Number	Switch Description	ON/OFF
1	Contact Closure Time	OFF - .5 seconds ON - 10 seconds
2	Contact Closure	OFF - Normally open ON - Normally closed
3	Mode Selection	OFF - Line Concentrator Mode ON - Normal Operation Mode

## Operation

### A. Placing C.O. Line Calls On Hold

If a C.O. line call is in progress and a doorbox is initiated, a single or double "call waiting" tone will be heard indicating doorbox 1 (**DEV 1**) or doorbox 2 (**DEV 2**) is calling. To place the in-progress call on hold and answer the calling doorbox, simply dial a Touch Tone "#", pulse dial a "2" or hook flash twice.

### B. Activating the Door Strike

To activate a relay contact, you must be communicating with a doorbox. Simply Touch Tone dial "\* \*", pulse dial a "3" or hook flash three times. Two confirmation tones will be heard and the relay will be activated for the programmed contact closure time (.5 or 10 seconds). The phone will then be returned to the C.O. line and the original caller will be taken off hold to continue the conversation. To return to the original call without activating a relay, simply Touch Tone dial "#", pulse dial a "2" or hook flash twice.

**Note:** When deactivating a continuous contact activation, a single confirmation tone will be heard.

### C. Monitoring A Doorbox

A doorbox may be turned on for monitoring purposes by Touch Tone dialing a "3" followed by a Touch Tone "1" or "2" to activate doorbox 1 or doorbox 2 respectively. This feature is not available for pulse dialing phones.

**Note:** Do not attempt doorbox monitoring while a call is in progress, the call will be disconnected.

### D. Features

	Touch Tones	Pulse
Activate relay 1 or 2 .....	* *	pulse dial 3 or hook flash 3 times
Continuously activate relay 1 or 2 .....	* 1	
Continuously de-activate relay 1 or 2 .....	* 0	
Toggle relay from last position .....	* #	
Answer or disconnect a doorbox call .....	#	pulse dial 2 or hook flash 2 times
Monitor doorbox 1 .....	# 1	
Monitor doorbox 2 .....	# 2	

**Note:** These commands will only function while communicating with a doorbox.

**Product Support Line...(715) 386-8666**

**Fax Back Line...(715) 386-4345**

Due to the dynamic nature of the product design, the information contained in this document is subject to change without notice. Viking Electronics, its affiliates and/or subsidiaries assume no responsibility for errors and/or omissions contained in this information. Revisions of this document or new editions of it may be issued to incorporate such changes.