

Westec InterActive

The Power Of Presence™

**Froula Alarms Technical Seminar
August 1, 2001**

Hank Scheibe NW Ops Mgr

503-350-0709 (ofc)

877-947-7770 (ofc)

503-819-4786 (Cell)



Syllabus

- A. Westec Interactive Overview
- B. How does Interactive work?
- C. Resources
- D. Paperwork – Installation work orders
 - a. Customer survey
 - b. Completion checklist
- E. Drawings
 - a. Rapid eye w/ Audio and alarm
 - b. Vista 20
 - c. Dome
 - d. Miracle Monitor
 - e. Cable Sheet
 - f. V50 – switch arming / siren cutoff
 - g. Radionics relays 1 and 2
 - h. Cell backup drawing

Multiplexer discussion
Duplex vs simplex

Question and Answers (hopefully)

Important Phone Numbers:

Responsibilities	Company	Contact Information	
Sales: Michael Upp – Ext 4720 Customer communication and change order presentation.	Westec	Voice Voice Fax Email	(888) 355-9947 (949) 797-4720 (949) 250-9405 mjupp@westecnow.com
Project Management: Hank Scheibe Installation management oversight	Westec	Voice Voice Fax Email	(877) 947-7770 (503) 350-0709 + (800) 820-4347 (503) 905-9387 <u>hscheibe@westecnow.com</u>
Equipment Pre- configuration & Logistics Gary Moloian Testing, shipping, configuration of equipment	Westec	Voice Voice Fax Email	(888) 896-6600 (949) 399-1372 (949) 399-1380 <u>gnmoloian@westecnow.com</u>
Equipment Pre- configuration & Logistics Blair Bates Testing, shipping, configuration of equipment	Westec	Voice Voice Fax Email	(888) 896-6600 (949) 399-1377 (949) 399-1380 <u>bbates@westecnow.com</u>
Telco Project Coordination Dale Moeller Site phone line ordering and trouble resolution	Westec	Voice Voice Fax Email	(888) 896-0660 (949) 399-1370 (949) 399-1380 dlmoeller@westecnow.com
Field Support/Help Desk Scott Geddis, Andrew Marrocco, Shawn McLaughlin Verify configuration, review tested signals, and make final preparation of site to go online.	Westec	Voice Fax	(888) 947-9251 (949) 725-6676
Visual Command Center Mary Guzman, Jeanette Pack "Ready to Monitor final approval"	Westec	Voice Fax	(800) 820-4347 (949) 725-6676


Sample Job Inventory:

QTY	Part #	Part Description
		Cameras
0	IV-428	Camera - 1/3" Color, 330 lines, 0.9 lux @ F1.2, video/DC auto iris, back light comp, digital
4	Kit IV-CA	Camera Kit – 1/3" Color, 330 lines, 0.9 lux @ f1.2, + lens, 3.5 – 8mm Vari-focal, F1.4, DC Auto Iris
1	IV-152	Camera & Heater Power Supply – 8 Camera, 4 Heater/Blower for outdoor encl.
		Lenses
2	IV-216	Lens - 1/3", 3.5 - 8mm, Vari-focal, F1.4, DC auto iris
0	IV-230	Lens - 1/3", 4mm, Mono-focal, F1.2, DC auto-iris
		Camera Mounts
3	IV-156	Camera Mount - Universal Wall/Ceiling - Beige w/4.5" Shaft
		Camera Housings
1	IV-271	Camera Housing Heater Kit (for IV-268)
1	IV-268	Camera Housing - 14" Magnum Housing w/Sunshield, blower, Wall Mount w/security kit, white
		PTZ
1	KIT OBICMT	Int Orbitor Ceiling Mount
		Monitors
1	IV-307	Monitor - 13" Color JVC or Toshiba 1300K
		Equipment Enclosures
1	IV-453	Equipment Enclosure - Dual Lock box for Rapid Eye & InStorage
1	IV-452	Equipment Enclosure Mount
		Digital Video Recorder - Windows Version
1	IV-1038	Digital Video Recorder - 8 Camera, 120 gb Disk Size, Windows
		Audio Zoning - Microphones & Speakers
1	KIT IV-A4	Audio System - Four two way zone
1	IV-600	Speaker - indoor, surface mount, 20 watt
1	IV-IFM	Microphone - Indoor, Flush Mount
1	KIT IV-P	Emergency Phone - Red, w/wall plate
1	KIT IV-OM	Microphone - Outdoor, Surface Mount
1	K2000	Speaker - Outdoor, w/stainless steel enclosure, 30 Watt
		Panic Devices - Hardware
0	IV-610	Panic Alarm Button - Beige

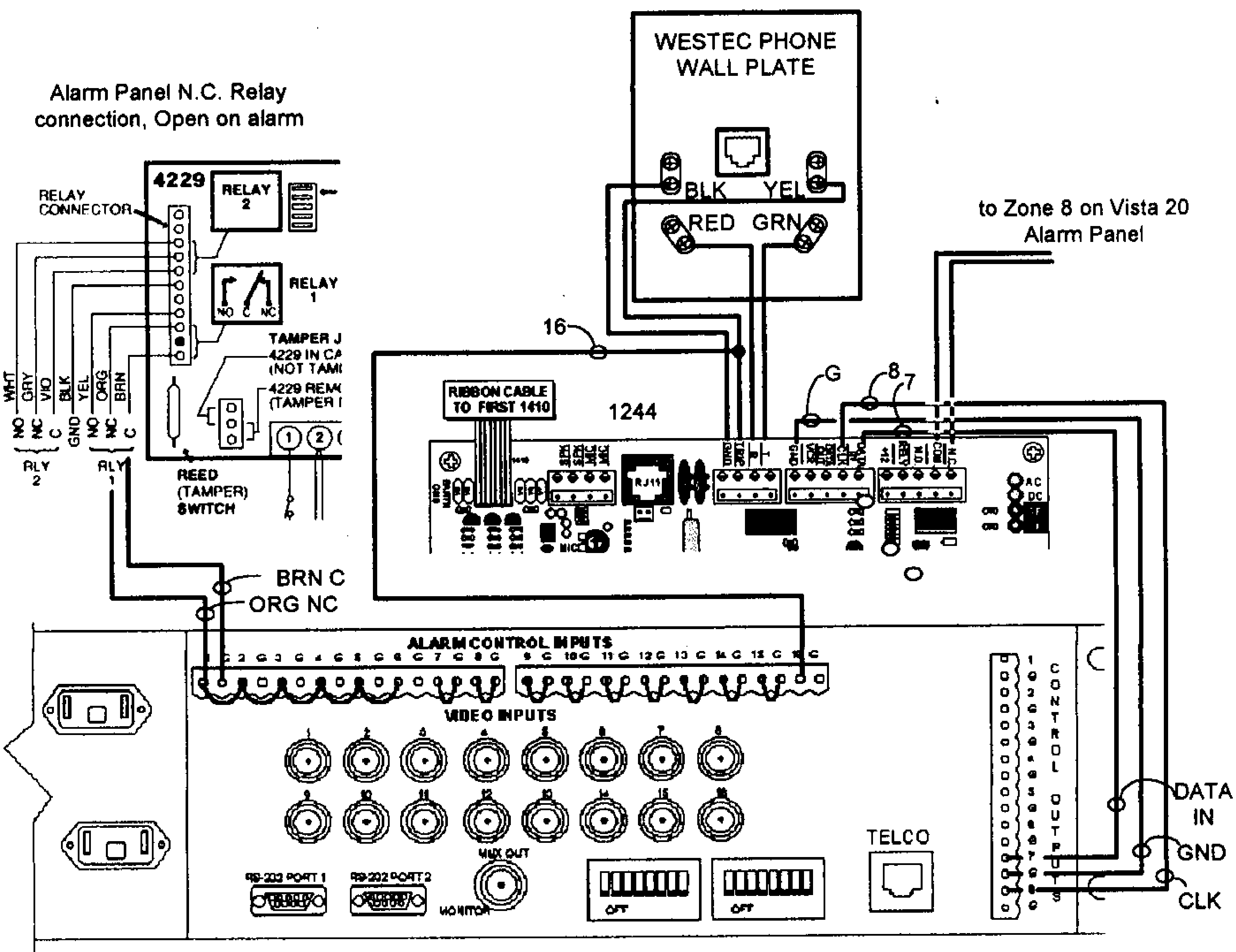


Job Inventory (cont)

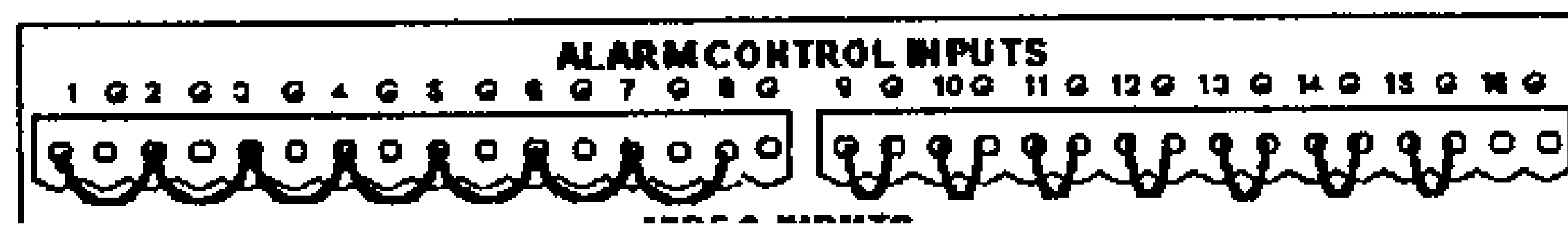
QTY	Part #	Part Description
		Wireless Devices - Ademco 5800 Series (Supervised)
2	IV-724	Wireless Panic Alarm Pendant - Dual Button w/ Belt Clip & Keychain
2	IV-668	Wireless Panic Alarm - Cash Register Bill Trap
1	IV-717	8 Zone Wireless Receiver Vista
		Burglary Alarm Input Devices
		Alarm Interface Controller - Ademco
1	KIT IV-AP	Alarm Panel Complete, 16 zone, 2 relay output, w/Alpha keypad, Vista 20
		Interactive Transmitter - Hard Disk Image Storage (Pentium)
1	KIT IV-PRI8	8 camera system - ISDN (Includes Modem & Surge Protector) – Pentium Rapideye
		Training Materials
1	N/A	Training Tape - English (VHS)
		Miscellaneous
1	IV-1018	Sign - Interactive, Hanging, Interior
2	IV-1020	Sign - Interactive, Parking Lot
1	KIT IV-M8	Miscellaneous cables, connectors & Hardware - 1 to 4 cameras
1	1019	Cable Coax - Enter # of 500' Boxes
1	1021	Cable 18x2 OAS - for Camera Power, Heater & Blower (S/B two times Coax)
1	1014	Cable for Speakers & Mics, 22x4 w/1PR shield - Enter # of 500' Boxes
1	1024	Cable for Burg, 22 awg 2 cd - Enter # of 500' Boxes
		Additional Items
1	IVMIRMON	Local InStorage Manager Viewing Monitor
1		Amplified Speaker option for IVMIRMON

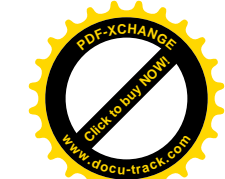


Audio Board, RapidEye, and Emergency phone interconnections

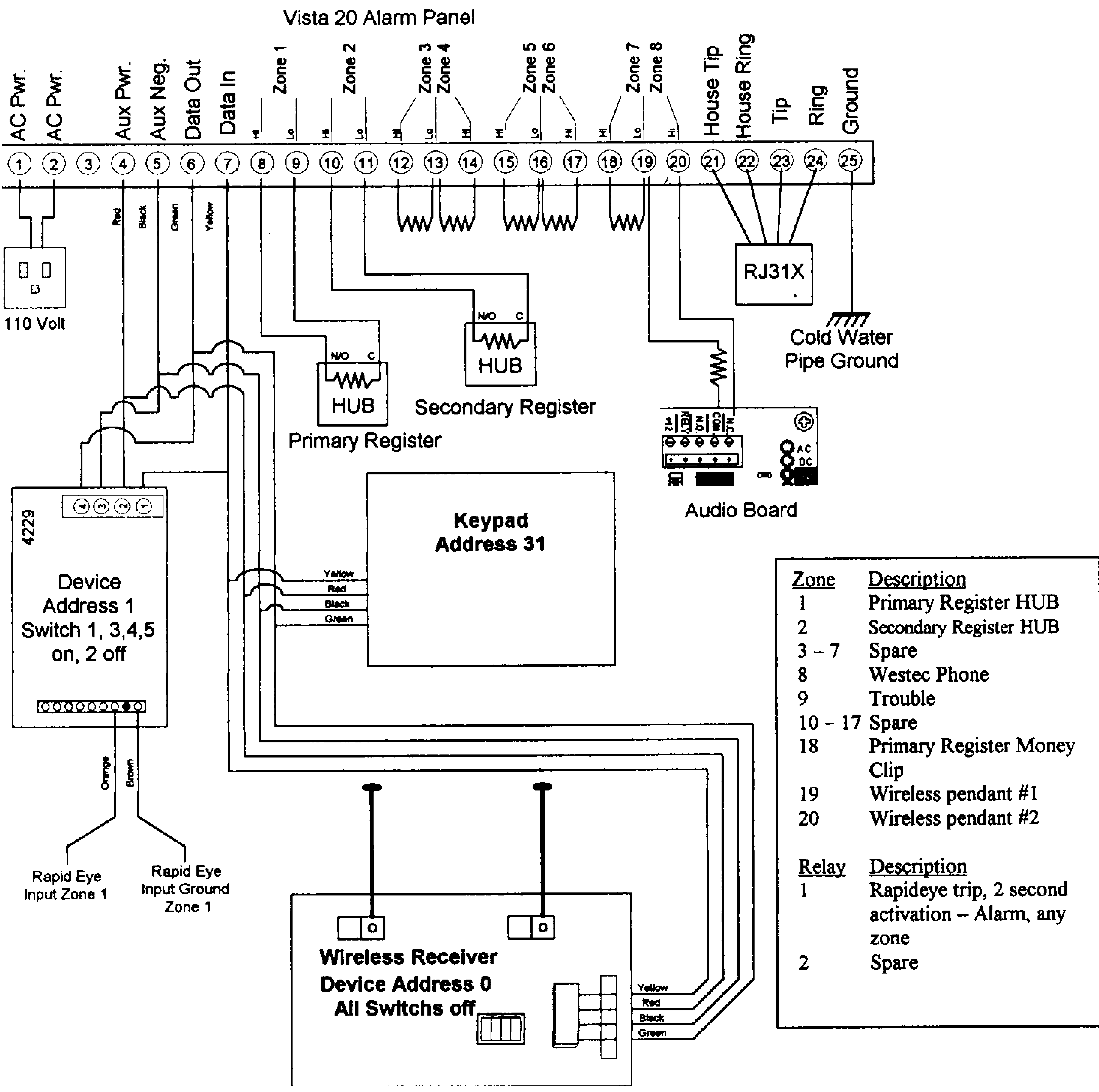


NOTE: A 16-pin ribbon cable for all video inputs connected must be obtained together. A 16-pin ribbon cable for enhanced video inputs must be obtained. The RapidEye above shows the correct connections for a 6-conductor twisted pair. Below is the correct connection for a 6-conductor twisted pair.



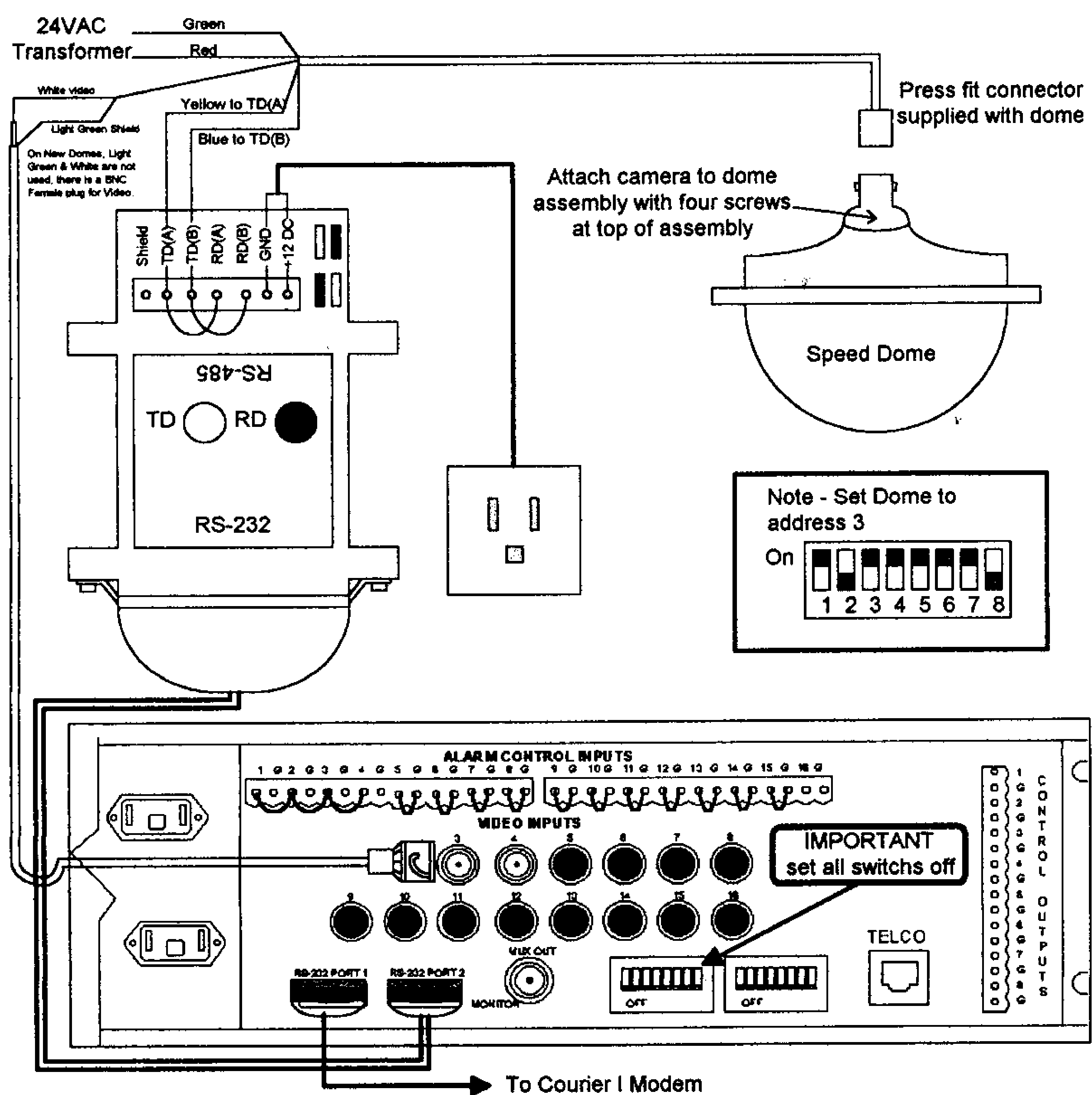


Alarm panel information and interconnections



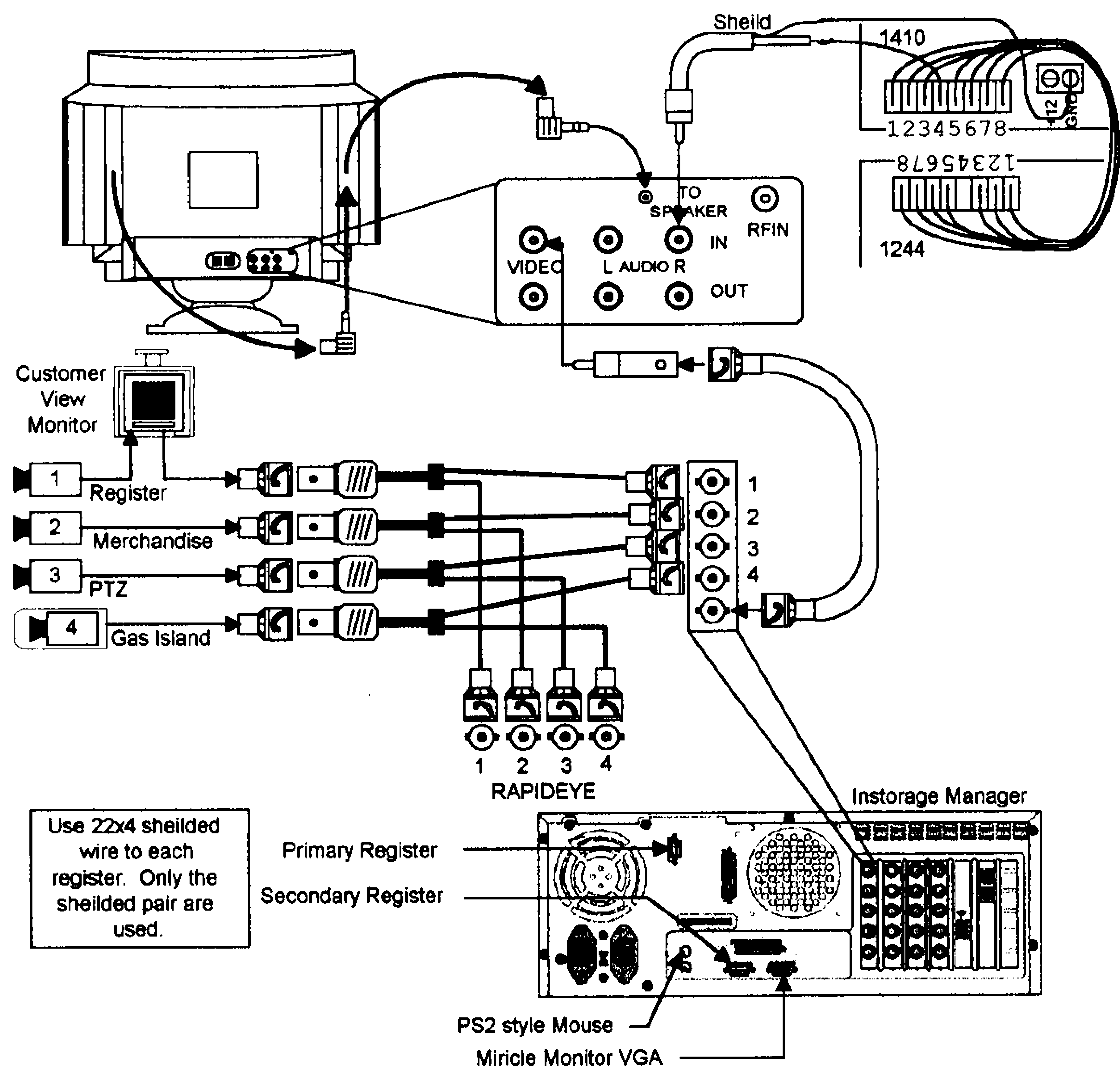


Orbitor diagram



NOTE: If Dome is on a different Rapideye input OTHER than input #3, then you will have to set the dome address to THAT INPUT NUMBER.

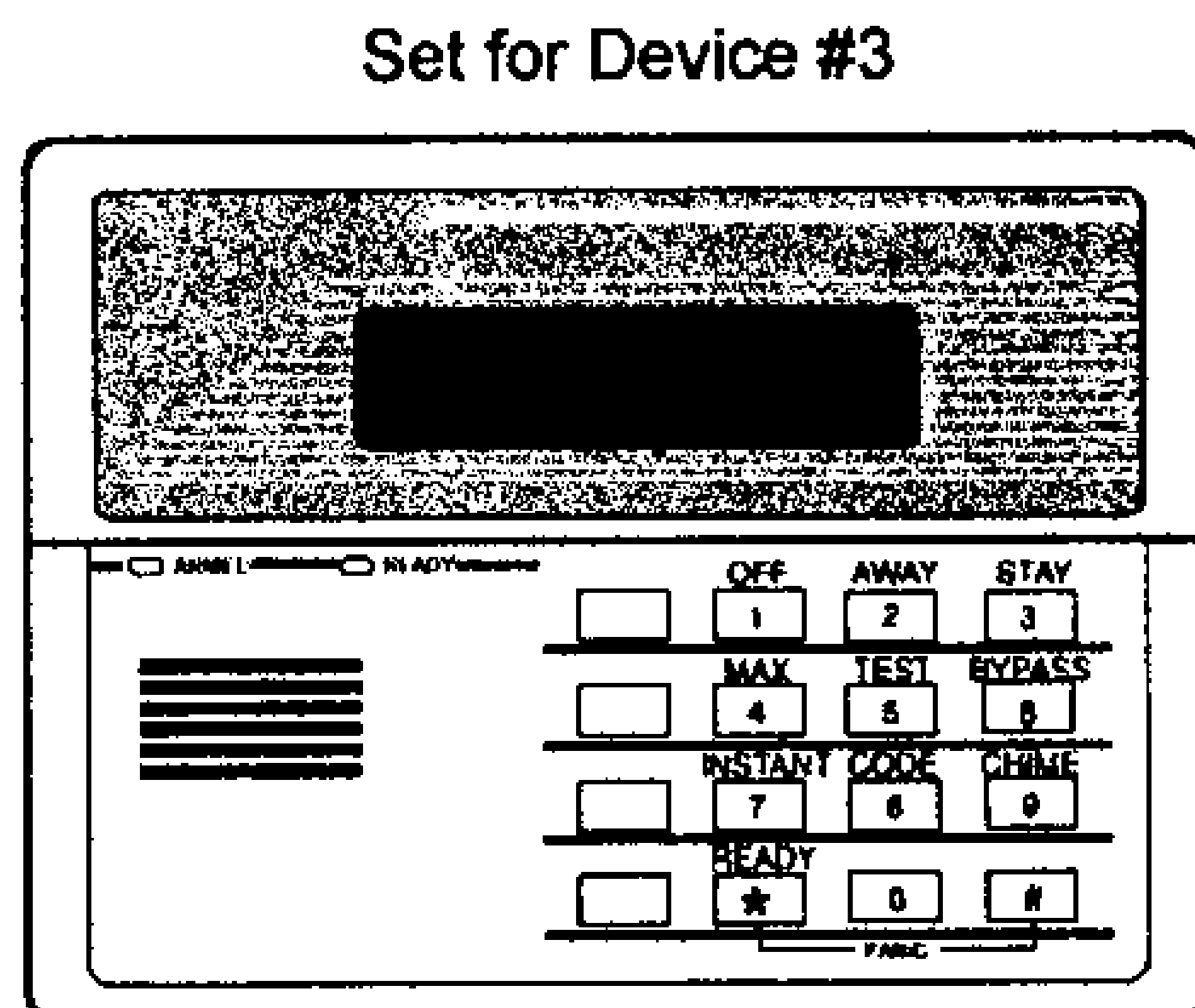
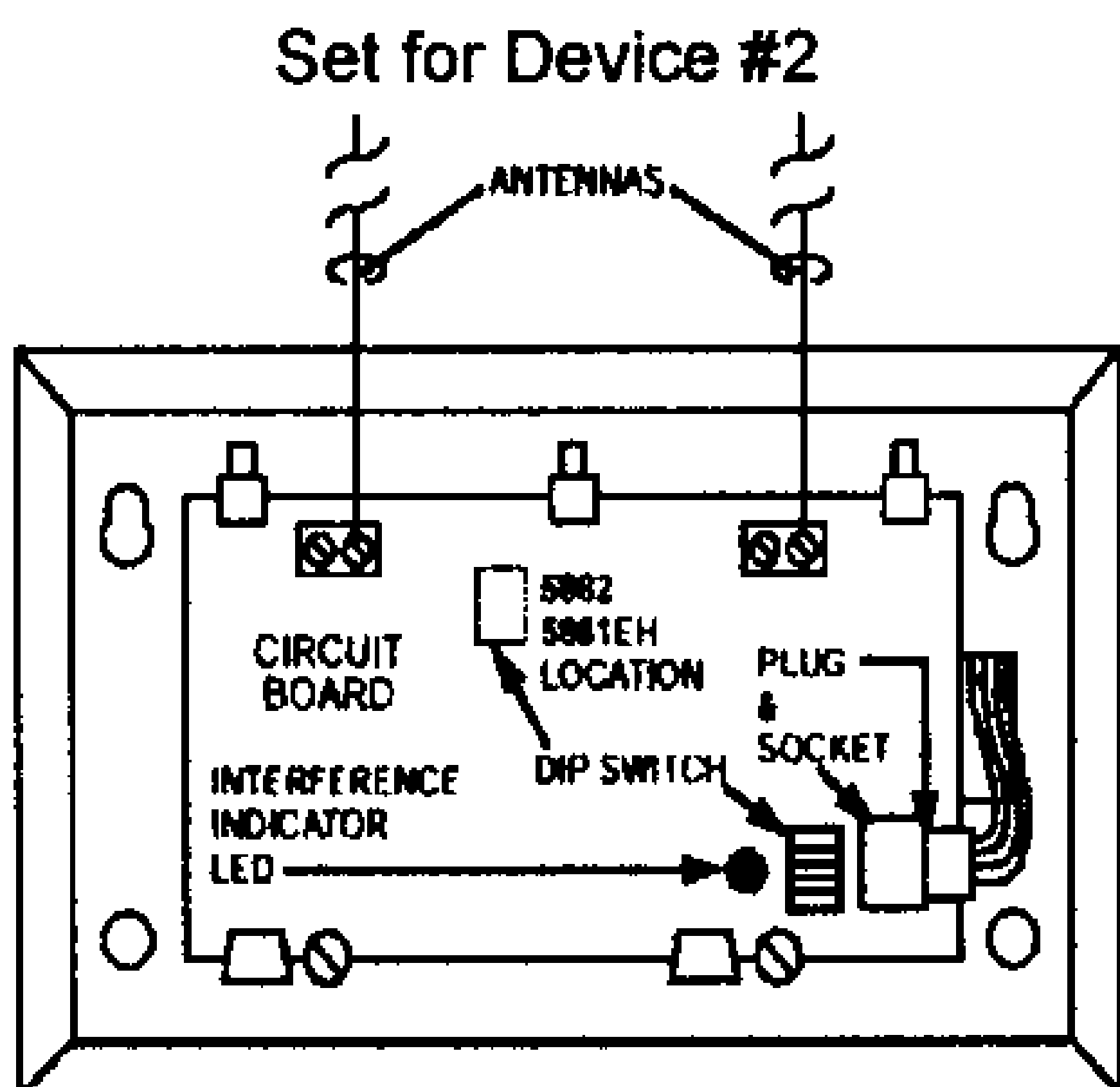
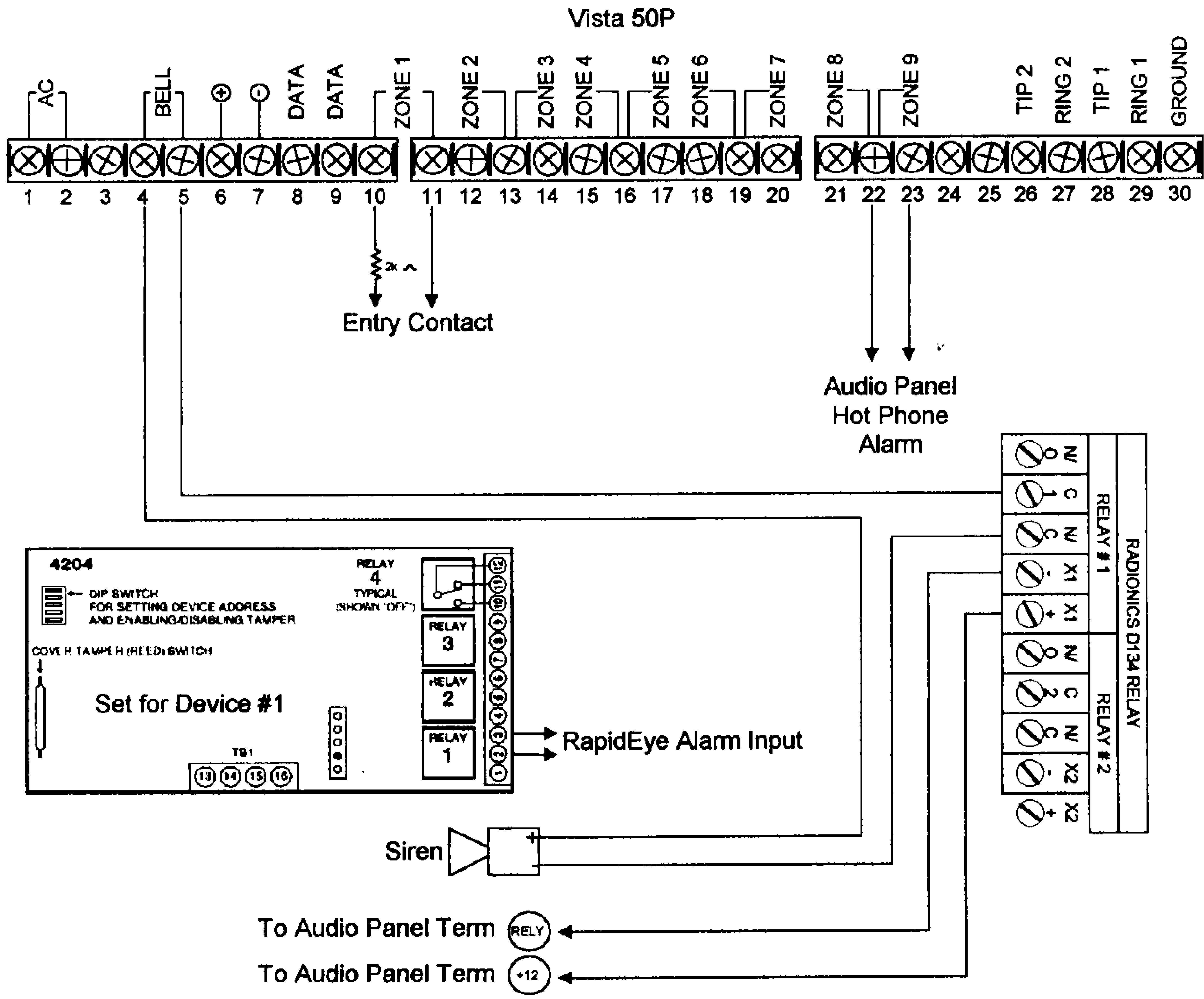
Miracle Monitor, Speaker, and InStorage Manager diagram



Cable Log sheet Sample

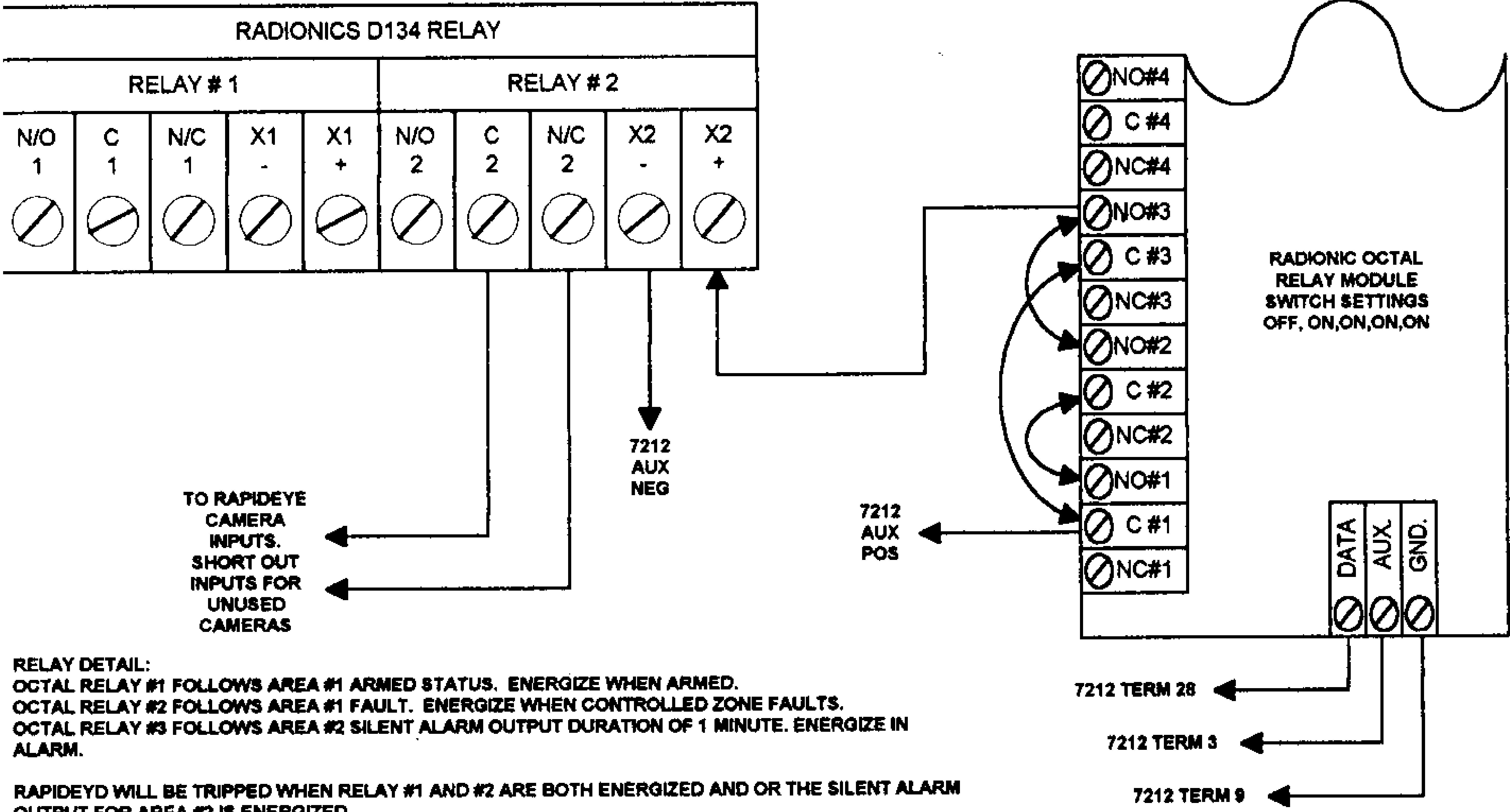
Cable #	From	To	Cable Type	Purpose
1	Lock Box	Customer view monitor	RG59U Coax	Video
2	Lock Box	Camera #2	RG59U Coax	Video
3	Lock Box	Camera #3	RG59U Coax	Video
4	Lock Box	Camera #4	RG59U Coax	Video
5	Lock Box	Alarm Panel	22x4 shielded	Rapideye Trip
6	Lock Box	Alarm Panel	22x4 shielded	Spare
7	Lock Box	Audio Enclosure	22x4 shielded	Rapideye Input 16
8	Lock Box	Audio Enclosure	22x4 shielded	Rapideye Data
9	Lock Box	Audio Enclosure	18x2 shielded	Audio can Power
10	Lock Box	Audio Enclosure	Telco cord	Audio phone line
13	Lock Box	ISDN Telco Jack	Telco cord	Courier I ISDN line
	Lock Box	Ground Clamp	14x1 solid green	ISDN surge protector
14	Lock Box	Orbitor PTZ	22x4 shielded	PTZ data
3	Lock Box	Orbitor PTZ	18x2 shielded	PTZ power transformer
11	Lock Box	Primary Register	22x4 shielded	POS RS232
12	Lock Box	Secondary Register	22x4 shielded	POS RS232
5	Lock Box	Miracle Monitor	RG59U Coax	Digital Recorder video out
1	Camera power supply	Camera #1	18x2 shielded	Camera power
2	Camera power supply	Camera #2	18x2 shielded	Camera power
4	Camera power supply	Camera #4	18x2 shielded	Camera and blower power
15	Alarm Panel	Wireless Receiver	22x4 shielded	
16	Alarm Panel	Keypad	22x4 shielded	
17	Alarm Panel	Audio Enclosure	22x4 shielded	Westec Phone alarm
18	Alarm Panel	Audio Enclosure	22x4 shielded	Spare
19	Alarm Panel	Panic – Primary	22x2	Zone 1
20	Alarm Panel	Panic – Second	22x2	Zone 2
	Alarm Panel	Ground Clamp	14x1 solid green	Earth Ground
21	Audio Enclosure	Indoor speaker and Mic.	22x4 shielded	Audio zone 1
31	Audio Enclosure	Outdoor speaker and Mic.	22x4 shielded	Audio zone 2
32	Audio Enclosure	Westec Phone	22x4 shielded	
	Audio Enclosure	Ground Clamp	14x1 solid green	Earth Ground
22	Audio Enclosure	Miracle Monitor	22x2 or pre-made RCA	Speaker audio connection
01	Camera #1	Customer View Monitor	RG59U Coax	Loop through

Ademco ICCTV & Burg. Interface

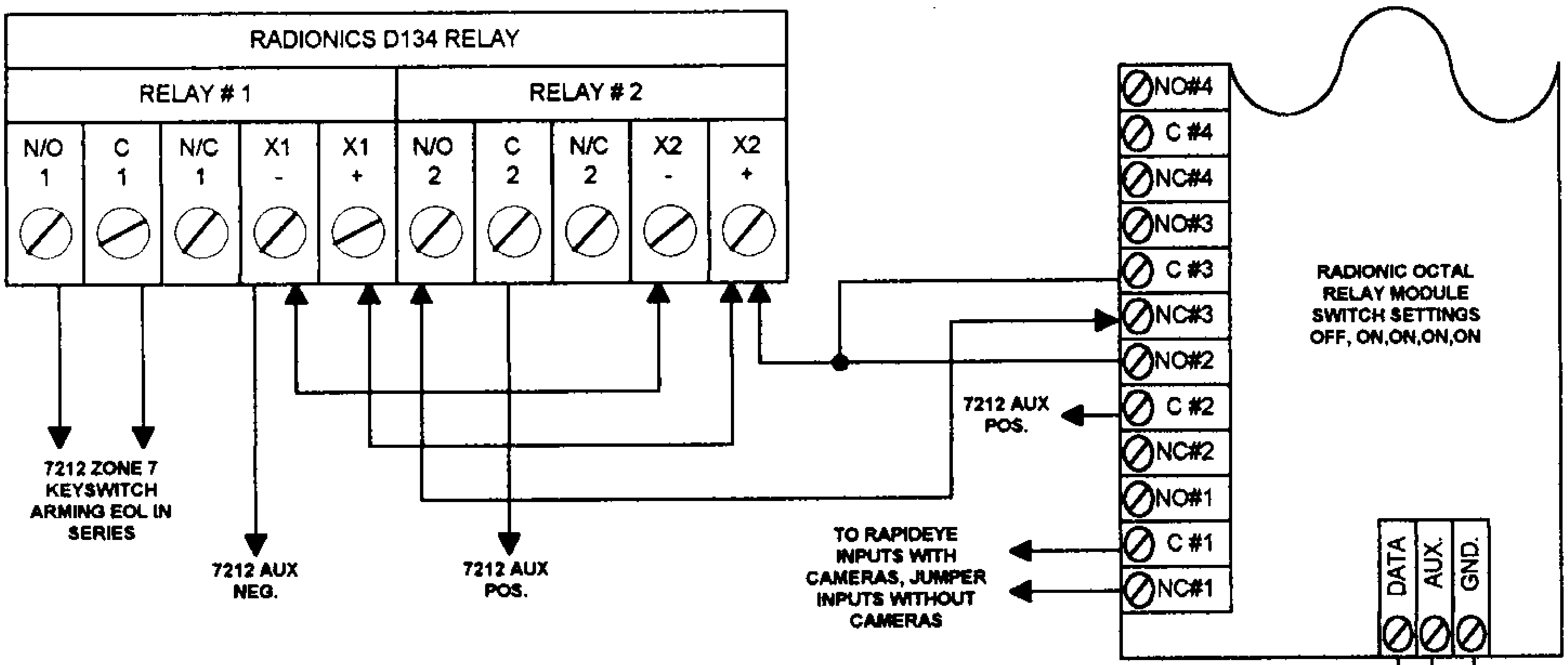




CONFIGURATION WHEN MONITORING BURGLARY

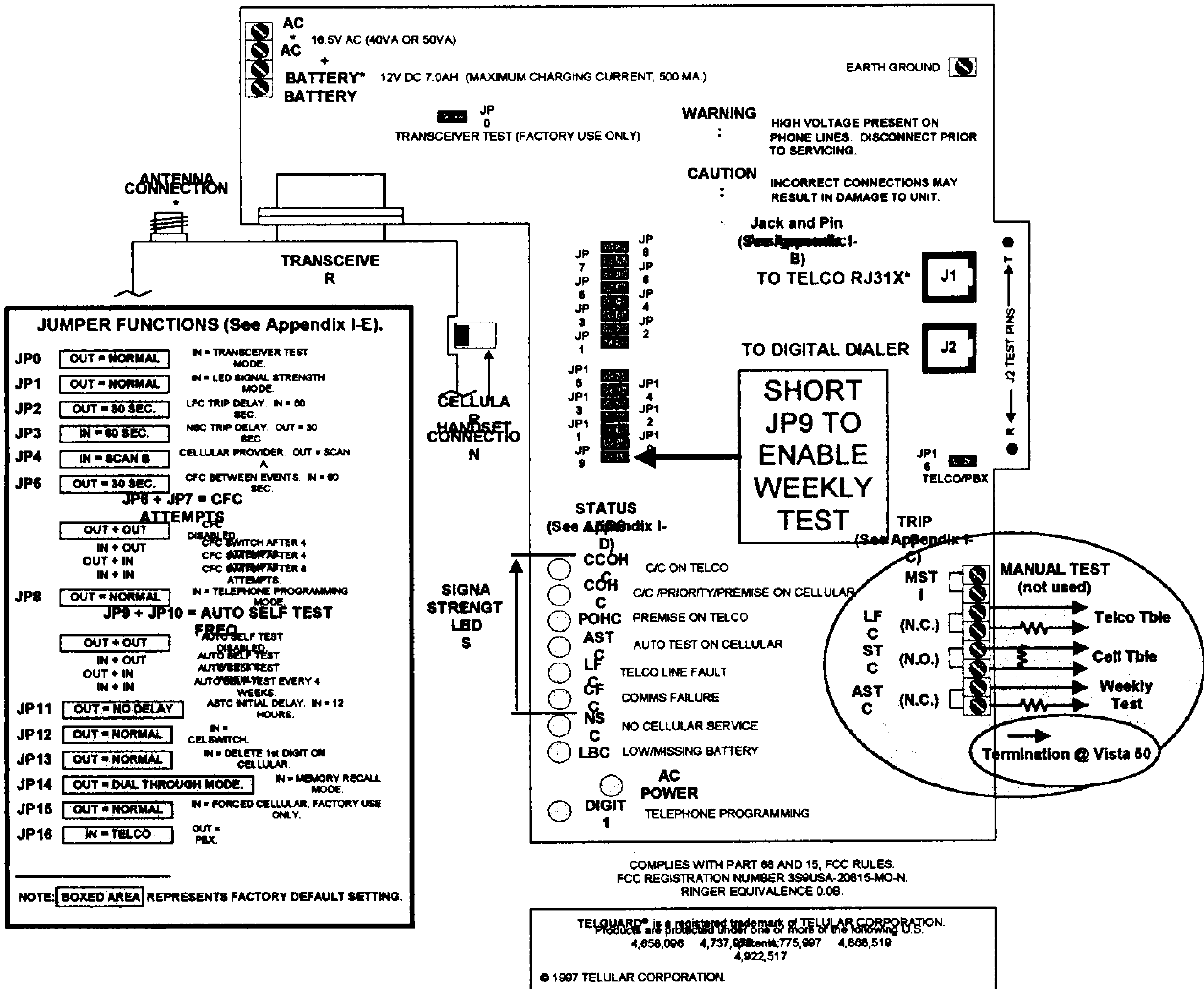
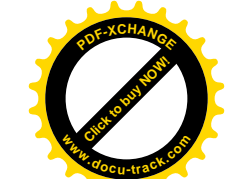


CONFIGURATION WHEN NOT MONITORING BURGLARY



RELAY DETAIL:
 OCTAL RELAY #1 FOLLOWS SILENT ALARM OUTPUT, ALL ZONES TRIP SILENT ALARM OUTPUT (1 MINUTE)
 OCTAL RELAY #2 FOLLOWS PERIMETER FAULT, USED TO LATCH D134 RELAY (DISARM PANEL)
 OCTAL RELAY #3 FOLLOWS SCHEDULED TIME OF DAY SKED FUNCTION, USED TO RESET LATCHED D134 RELAY (ARM PANEL)

RELAY #2 AND #3 WILL HOLD PANEL DISARMED SO THAT THE GATE OPENING AFTER THE STORE OPENS DOES NOT TRIP RAPIDEYE. RAPIDEYE WILL TRIP WHEN GATE IS RAISED AND PANEL IS ARMED.



* - Indicates Supervised Circuit.